

Product: | Automatic Fire Curtain

The Automatic Fire Curtain is fully certified to BS: 476 Part 22 having a rating of 270 minutes at 1000°C



### Technical Specification Fire Curtain Roller

100 mm diameter, steel tube  
Maximum single roller span - 6m Wide  
Maximum single roller height 8m  
Over 6m width multiple rollers will be used  
Maximum height for multiple rollers 4.5m  
Multiple rollers have a 600mm overlap

### Bottom Bar

Twin inverted steel angle with optional powder coated finish

### Head Boxing

Manufactured from 18 s.w.g galvanised sheet steel  
Single head box:  
180mm Wide x 180mm High

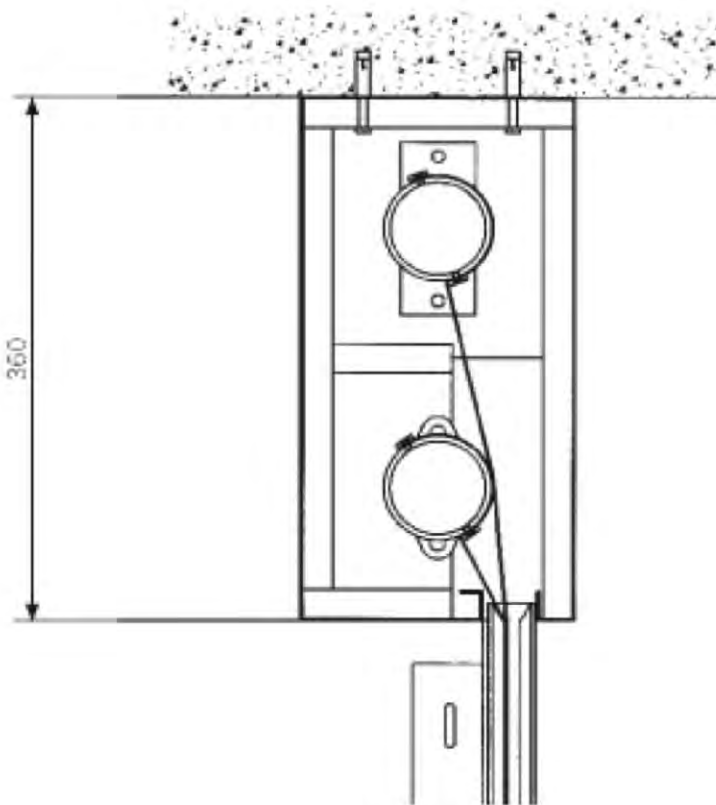
### Fabric

270 minutes-1000°C  
C41000WK Wire inserted woven glass fibre  
Weight: 700g per square metre

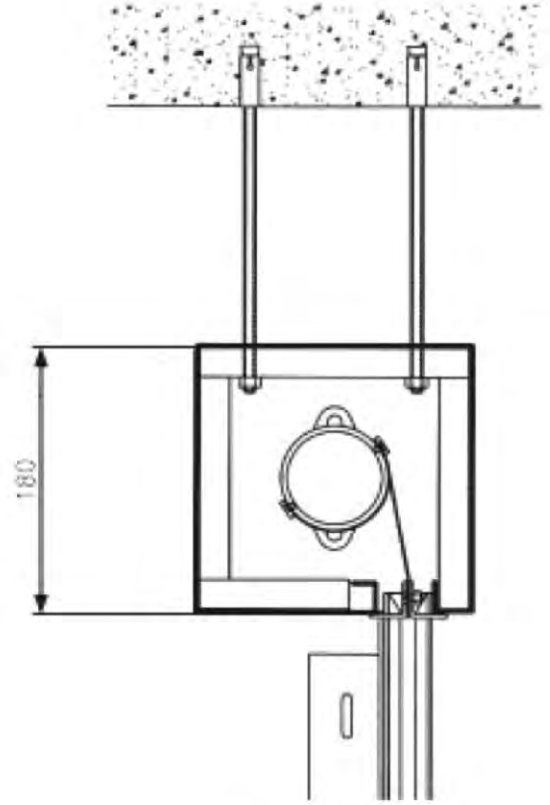


Product: | Automatic Fire Curtain

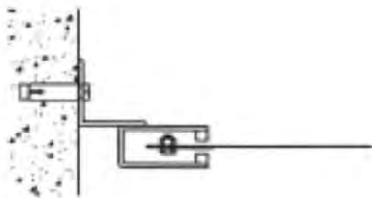
Fire curtain systems require side guides to provide a seal between the curtain fabric & the structure of the building. A fire will cause either positive or negative pressures, these pressures can cause the curtain to billow & pull the curtain fabric out of the side guides. Fabric retaining bolts are fixed to the edge of the curtain to prevent this occurring. The side guides are made from 3mm rolled steel with 8mm<sup>2</sup> retaining strips. Size of guide 65 x 32



Typical Elevation



Typical Elevation



Reveal Fit Guide Detail



Face fit Guide Detail



Quality Systems Certificate No 247  
Assessed to ISO 9002



Certified to LPS 1056  
LPCB Reference No 247b01  
240 min Fireguard Roller Shutter  
Assessed up to 7m<sup>2</sup>sq



Certified to LPS 1197  
LPCB Reference No 247a  
For the maintenance and servicing  
of Fireguard Roller Shutters

**Disclaimer:**

Our policy is one of continuous improvement and we reserve the right to alter any of the above details without prior notification.